

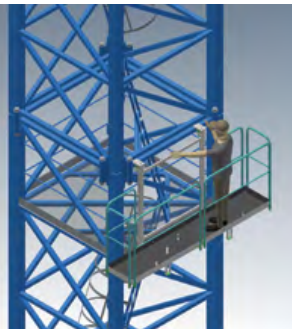
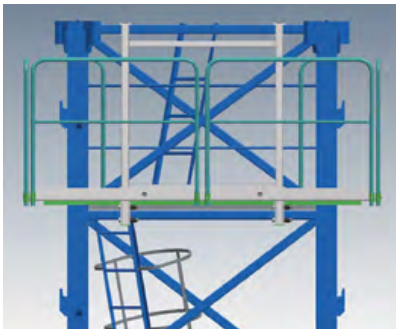
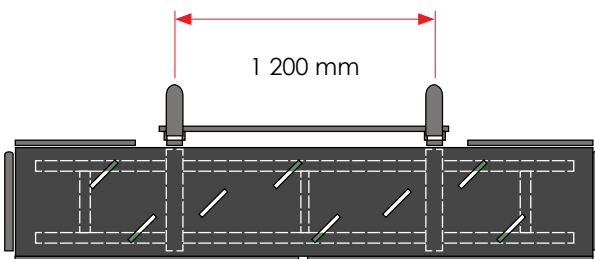
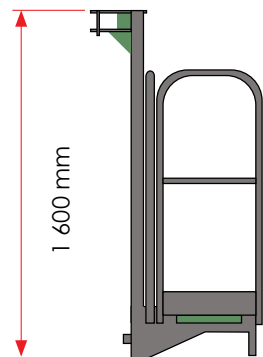
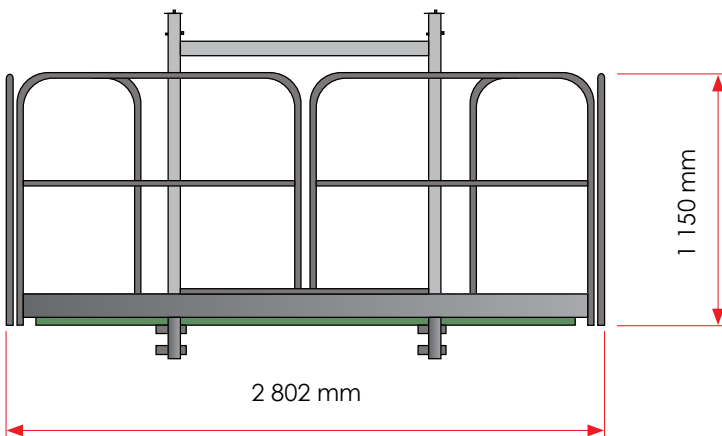


**RAIMONDI**®  
SINCE 1863

SERVICE BALCONY KIT



## SERVICE BALCONY KIT



### ADVANTAGES

- > Increased technician safety and comfort during the assembly and dismantle phases of the tower sections
- > The exceptional material quality and the hot galvanized process guarantee durability and longevity
- > Designed to reduce both transport dimensions and assembly times
- > The Service Balcony Kit may be used with different tower dimensions

Raimondi supplies a kit with two balconies. Each balcony can be connected to the tower structure easily and fixed with pins.

For commercial enquiries contact [info@raimondicranes.com](mailto:info@raimondicranes.com)